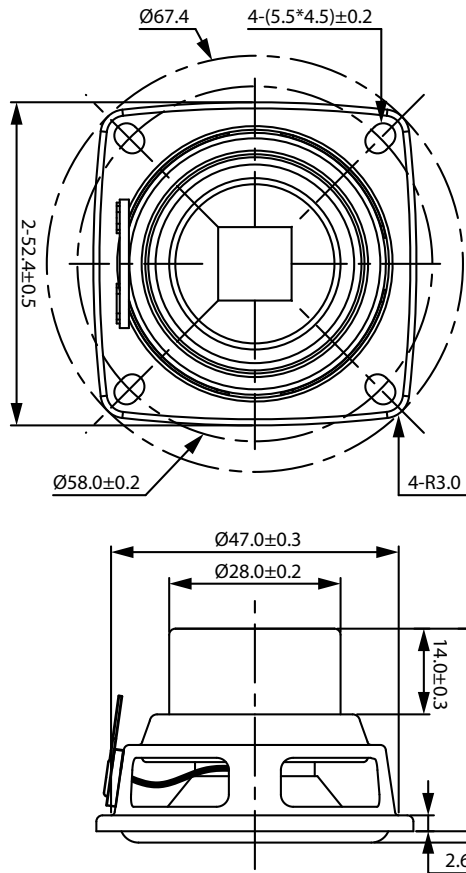




2" Dual Neo Full-Range 10W 4 ohm

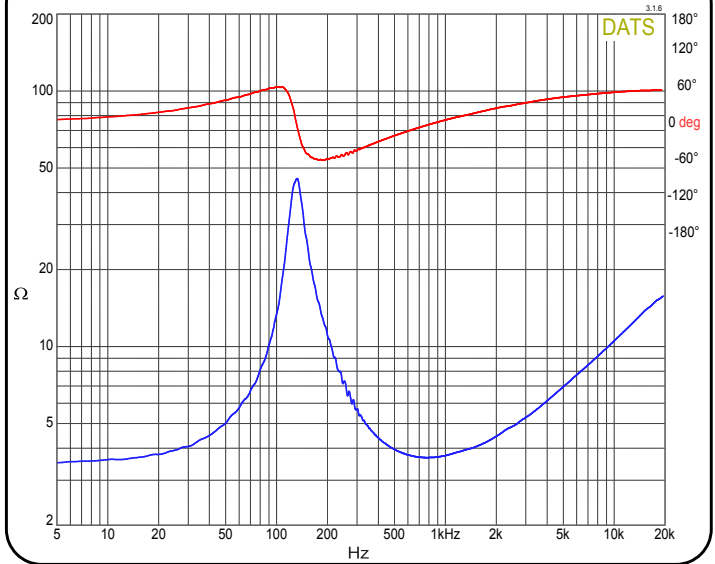
CE53N-4



PARAMETERS

Impedance	4 ohms
Re	3.5 ohms
Le	0.13 mH @ 10kHz
Fs	132 Hz
Qms	5.22
Qes	0.43
Qts	0.40
Mms	1.8g
Cms	0.83 mm/N
Sd	11.3 cm ²
Vd	2.26 cm ³
BL	3.44 Tm
Vas	0.150 liters
Xmax	2.0 mm
VC Diameter	19 mm
SPL	84 dB @ 2.83V/1m
RMS Power Handling (AES 426B)	10 watts
Usable Frequency Range (Hz)	150 - 20,000 Hz

IMPEDANCE/PHASE



FEATURES

- Dual neodymium motor for increased output and range
- Delivers crisp, clear audio, ensuring an immersive listening experience
- High-quality audio solutions without breaking the bank, ideal for budget-conscious projects
- Suitable for commercial installations, DIY projects, art exhibits, and more

FREQUENCY RESPONSE

